

Model 9190

Compact POS Countertop Mount



Secure the monitor to countertop while keeping cables out of view. Quickly adjust monitor angle to user preference. Can't tip over, unlike a monitor with freestanding base!

FEATURES

- ▲ Supports monitors, signature capture devices, kiosks and more
- ▲ Pivot and turn monitor – lock monitor in place if desired
- ▲ Internal cable routing – cables may pass through counter or exit behind mount
- ▲ Durable construction stands up to retail use and abuse
- ▲ Fast setup



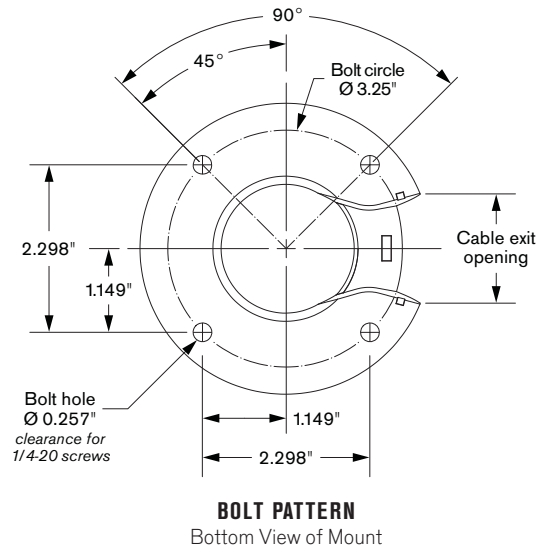
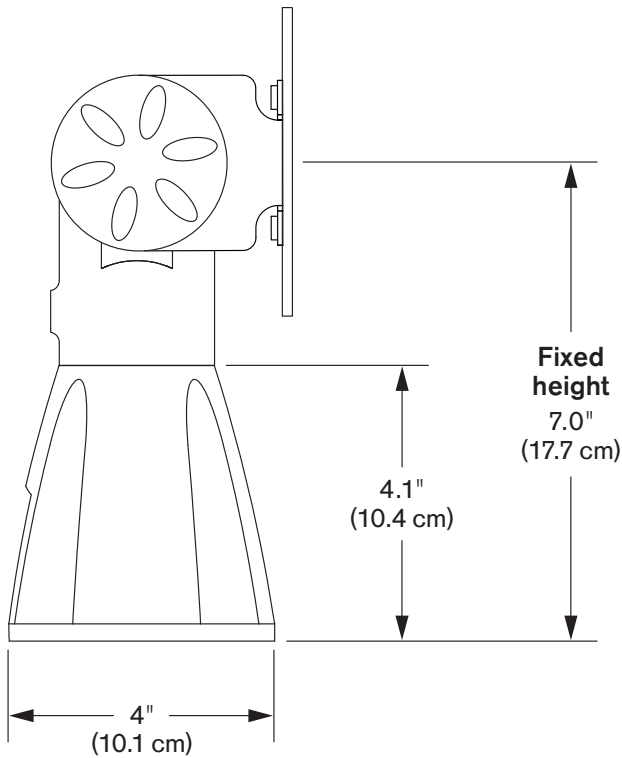
Easily tilt monitor to desired angle



Cables may exit above or below counter

Model 9190

Specifications



CAPABILITIES

Height range.....7" (17.7 cm), fixed
 Monitor weight.....up to 25 lbs (11.3 kg)

Reference dimensions; subject to change without notice. Consult IOP for latest information.

Phone: 800-577-3304 | Fax: 800-577-3304 | Email: sales@innovativeessentials.com | Web: www.InnovativeEssentials.com